

## PRESS RELEASE

### Contact:

Catherine Phillips  
Phillips Precision, Inc.  
[cphillips@phillips-precision.com](mailto:cphillips@phillips-precision.com)  
[www.phillips-precision.com](http://www.phillips-precision.com)  
1.508.869.0373

**Phillips  
Precision**  
Fixturing—Simple by Design.

INSPECTION  
ARSENAL

LASER  
ARSENAL

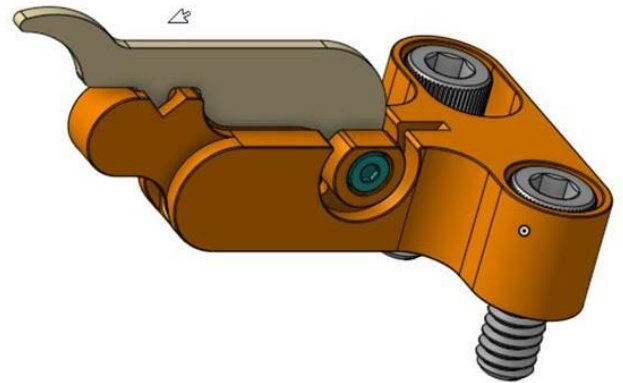
---

### Introducing Phillips Precision's Latest Innovation: The Mini-Vise, Redefining Small Part Holding in Metrology

Boylston MA, January 2024 — Phillips Precision, a trailblazer in metrology solutions, is proud to unveil the new Mini-Vise, the latest addition to their acclaimed Inspection Arsenal® system. Aptly named for its exceptional capabilities, is engineered to provide effective holding for very small parts. In fact, it may set a new standard as possibly the smallest clamp on the market today, showcasing Phillips Precision's dedication to innovation and pushing boundaries in metrology and manufacturing.

#### Key Features:

- The Mini-Vise boasts an impressive range capacity, accommodating a work piece ranging from .010" to .250" in diameter, catering specifically to the needs of small parts in various industries.
- The Vise features an adjustable spring-loaded mechanism, allowing users to fine-tune the holding force from 0 to approximately 3.1 lbs., ensuring secure and precise holding without part distortion or marring.
- With a focus on adaptability, the Mini-Vise can be seamlessly set up either horizontally or vertically, on imperial and metric Loc-N-Load™ Fixture plates. *This unprecedented flexibility in small work holding redefines the possibilities for precision measurement and inspection processes.*
- Crafted with precision and durability in mind, the Mini-Vise is constructed from black anodized 6061-T6 aluminum and 304 Stainless Steel, ensuring longevity and reliability.
- The Mini-Vise's retaining crown is impressively slim, measuring just .190" in width, making it an ideal solution for applications where a clear line of sight or space for a touch probe is elusive, yet critical.
- Phillips Precision, Inc. continues to lead the way in the metrology industry, and the Mini-Vise is a testament to their commitment to providing high-quality solutions that meet the evolving needs of their customers. Stay tuned for the official release of the Mini-Vise, set to revolutionize precision measurement and inspection processes.



For more information about Phillips Precision, Inc. and their products, please visit [www.phillips-precision.com](http://www.phillips-precision.com)

#### About Phillips Precision:

Phillips Precision is a leading provider of innovative metrology solutions, dedicated to developing high-quality products that enhance precision measurement and inspection processes. With a rich history of delivering cutting-edge technology, Phillips Precision continues to be a trusted partner for industries demanding speed, accuracy, and reliability.